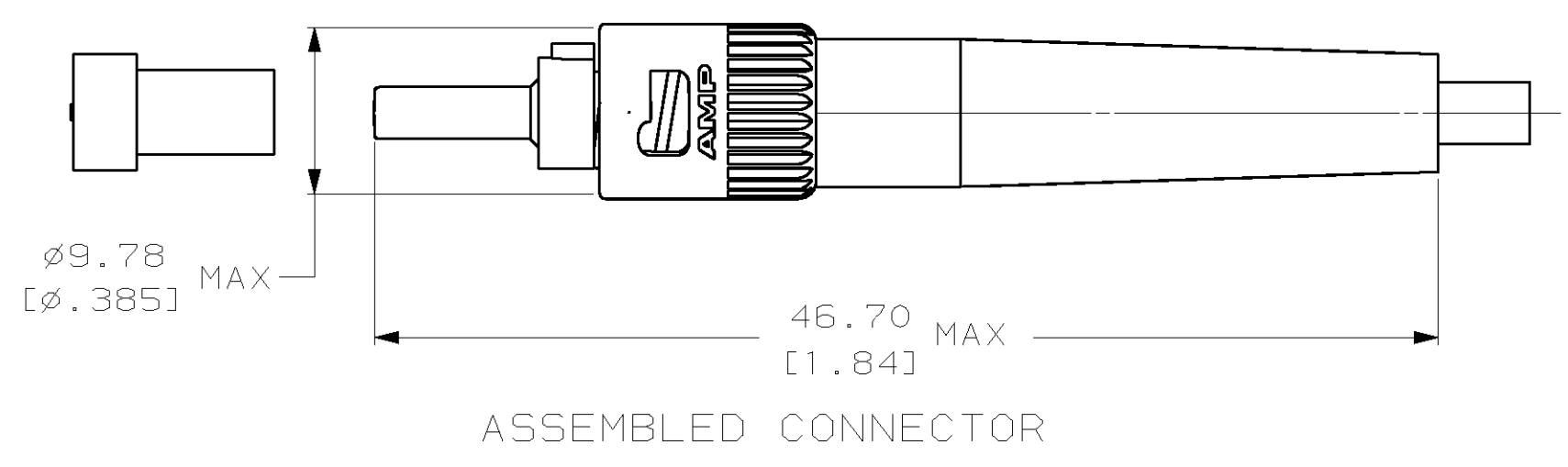
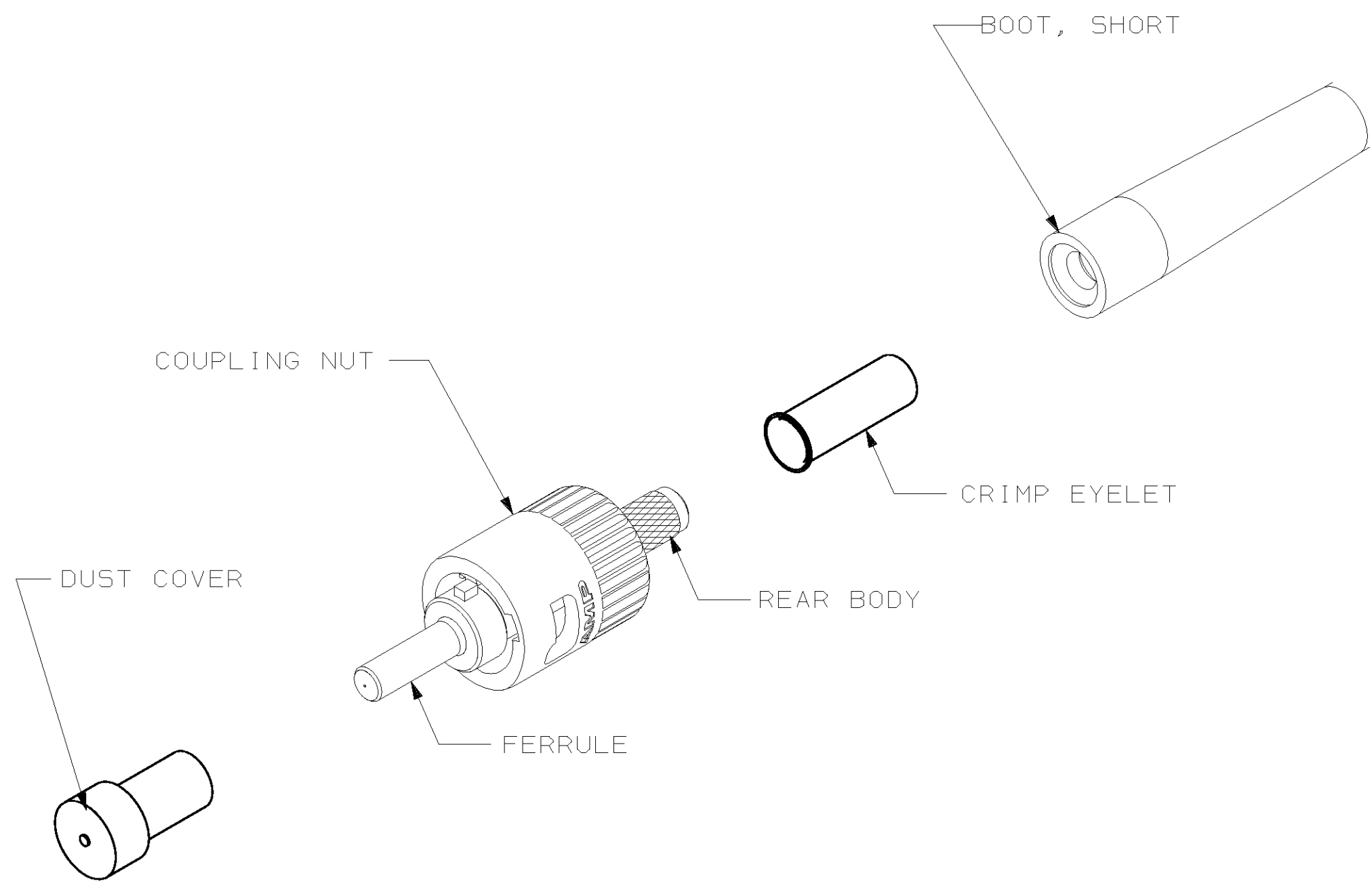


THIS DRAWING IS UNPUBLISHED. RELEASED FOR PUBLICATION .19  
 (C) COPYRIGHT 19 BY AMP INCORPORATED. ALL RIGHTS RESERVED.

LOC	DIST	REVISIONS			
P	LTR	DESCRIPTION	DATE	DWN	APVD
CE	16	D	REV PER 0A00-0447-02	10MAY02	JWD SB



- 1 MATERIAL:  
 DUST COVER: POLYOLEFIN, COLOR, BLACK  
 FERRULE: CERAMIC, COLOR, WHITE  
 COUPLING NUT: THERMOPLASTIC, COLOR, BLACK  
 REAR BODY: THERMOPLASTIC, COLOR, BLACK  
 CRIMP EYELET: COPPER ALLOY  
 SHORT BOOT: POLYOLEFIN
- 2 FINISH:  
 CRIMP EYELET: TIN PLATE
3. BULK PACKAGED

BLACK	125±2μm	503569-2
-	125±2μm	503569-1
COLOR SHORT BOOT	FIBER SIZE	PART NUMBER

THIS DRAWING IS A CONTROLLED DOCUMENT.		DWN J W DAVIS 10MAY02	AMP Incorporated Harrisburg, PA 17105-3608
DIMENSIONS: MM [INCHES]		CHK S BUCHTER 10MAY02	
		APVD S BUCHTER 10MAY02	
TOLERANCES UNLESS OTHERWISE SPECIFIED:		NAME	
0 PLC ±- 1 PLC ±- 2 PLC ±- 3 PLC ±- 4 PLC ±- ANGLES ±-		PRODUCT SPEC	CONNECTOR KIT, BAYONET, CERAMIC OVERMOLD
MATERIAL	FINISH	APPLIC. SPEC	SIZE CAGE CODE DRAWING NO RESTRICTED TO
1	2	WEIGHT	A2 00779 C- 503569 -
CUSTOMER DRAWING		SCALE NTS	SHEET 1 OF 1 REV D

503569